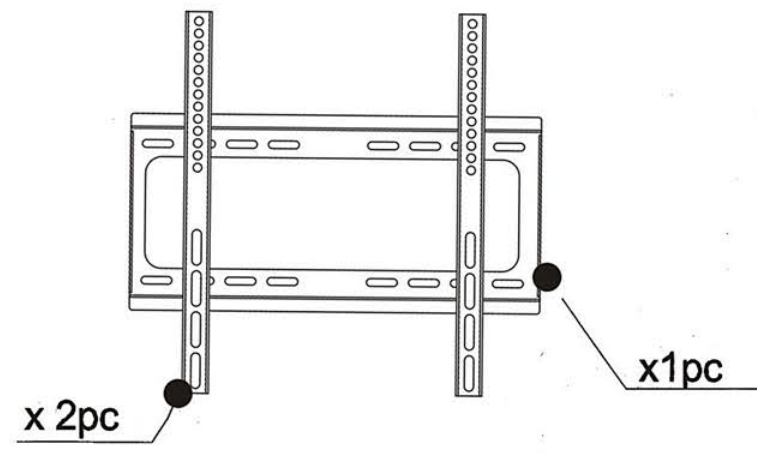


Model:450E



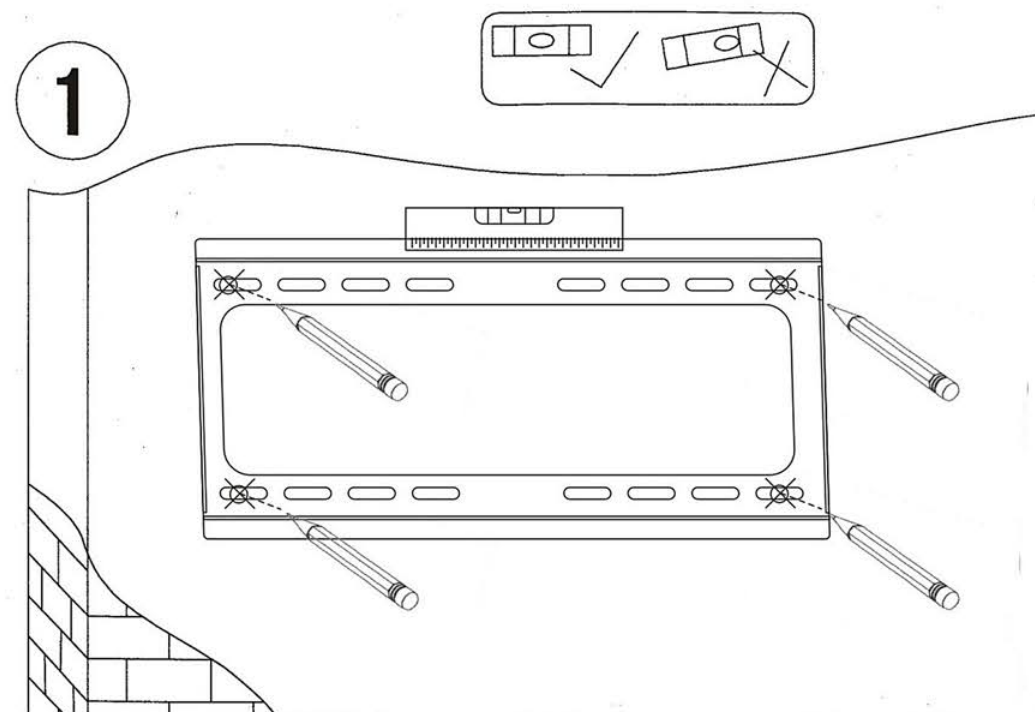
Hardware List

- | | | | | |
|----------------------------------|-------------------------------------|---|---|--|
| (A) ×4PCS
ST6×50mm
 | (B) ×4PCS
Ø10×Ø6×50mm
 | (C) ×4PCS
Ø12×6.5×1.0mm
Metal gasket
 | (D) ×4PCS
Ø12×6.5×1.0mm
Metal gasket
 | (E) ×4PCS
Ø16×8.5×15mm
Plastic gasket
 |
| (F) x4PCS
M4x30mm
 | (G) x4PCS
M5x30mm
 | (H) x4PCS
M6x30mm
 | (I) ×4PCS
M8x30mm
 | (K) ×2PCS
M6X35mm
 |

TOOLS NEEDED

Pencil Mark	Phillips Screwdriver	Hammer	Electric drill	Steel measuring tape
Ø 10.0mm 	Ø 4.0mm 			
Concrete bit	Twist bit	Level		

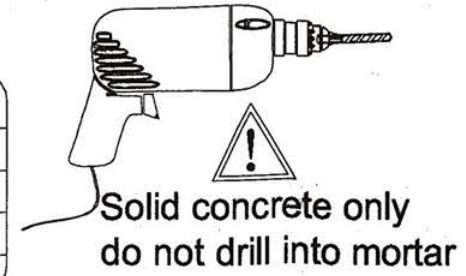
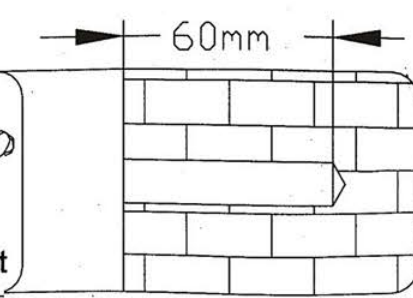
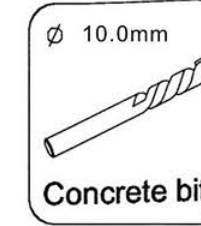
Step-1 Mounting the wall plate:



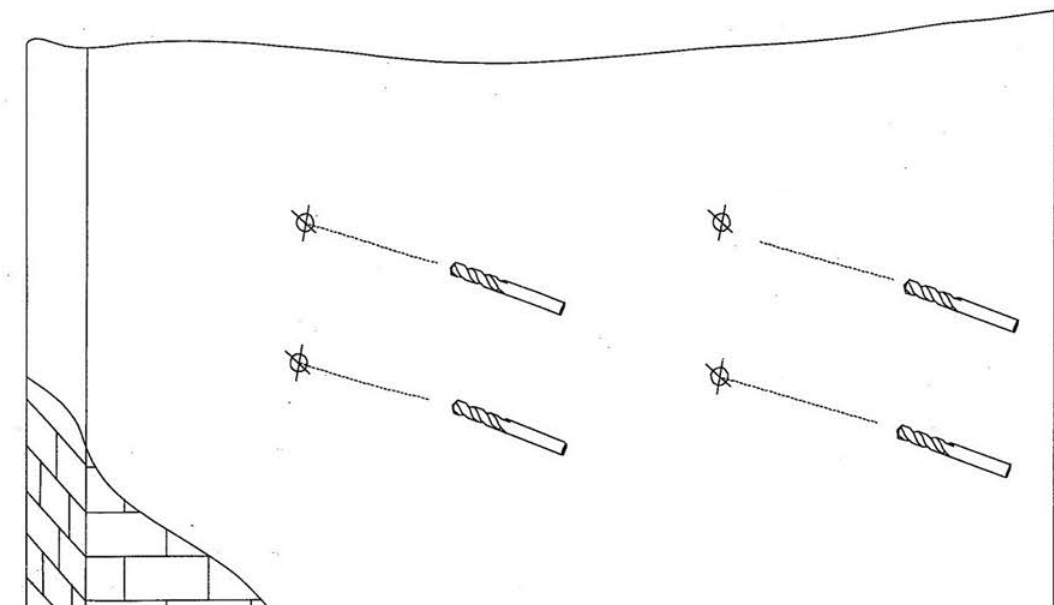
1



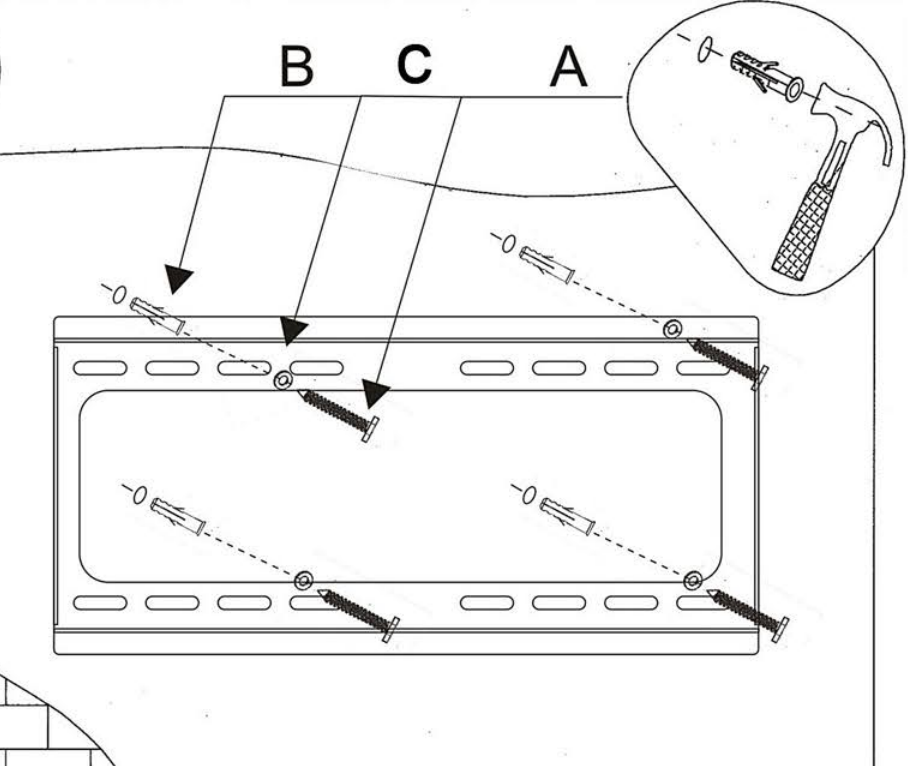
2



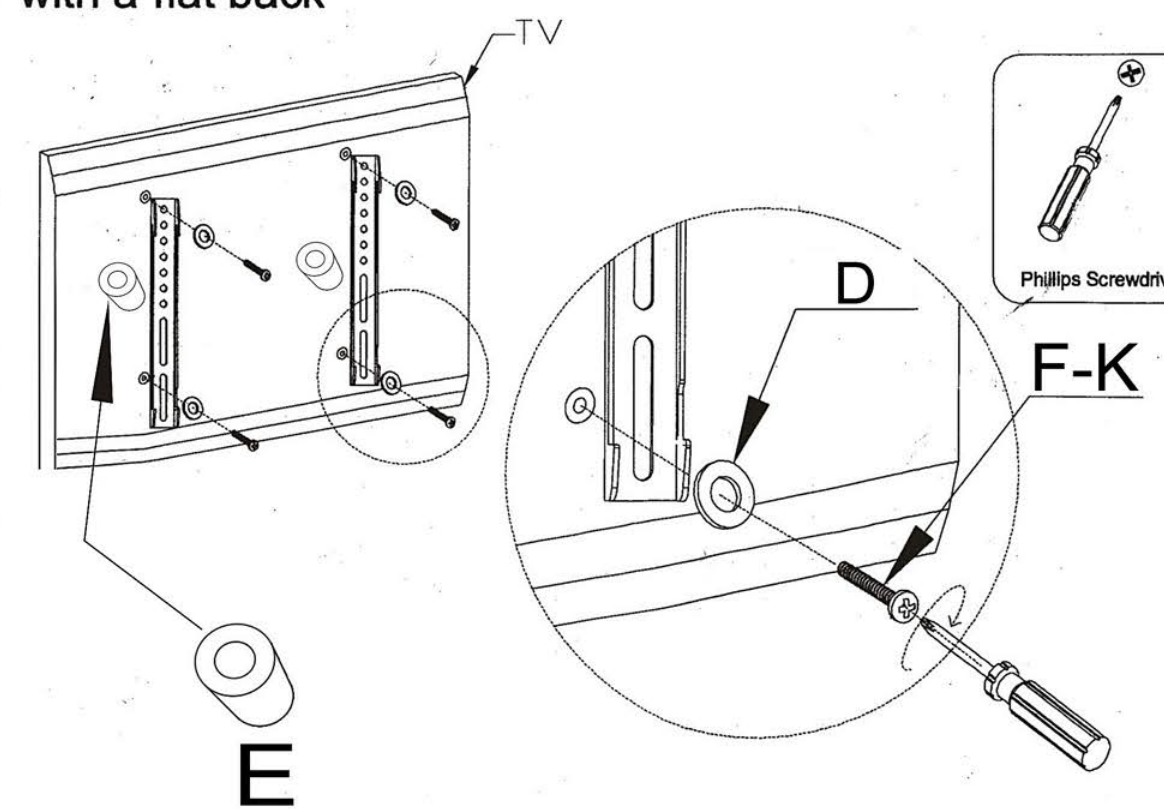
Drilling first with 4 then with 10.



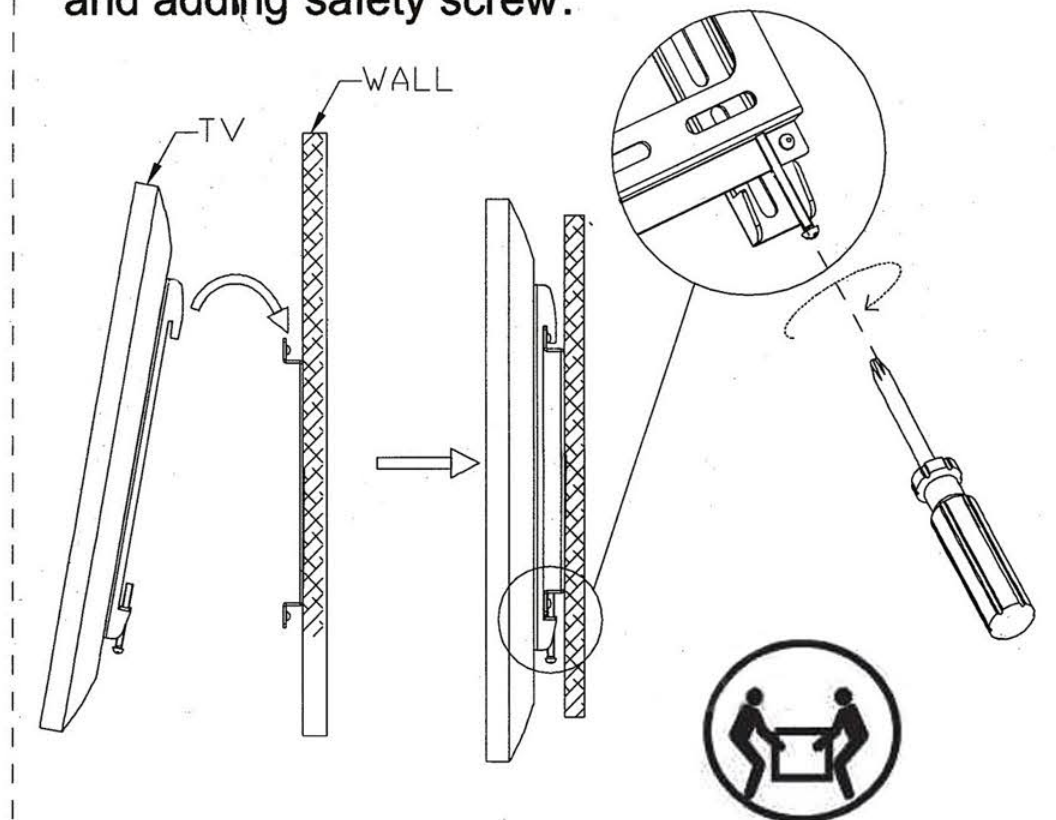
3



Step-2 Mounting TV brackets to a television with a flat back



Step-3 Attaching TV to wall plate and adding safety screw.



OK

