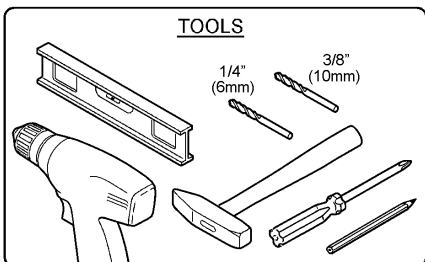
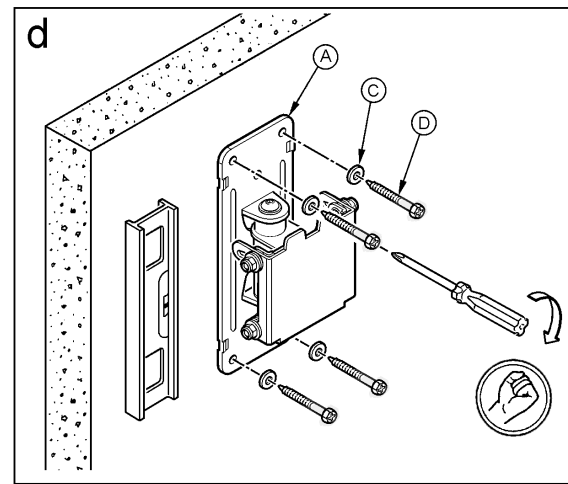
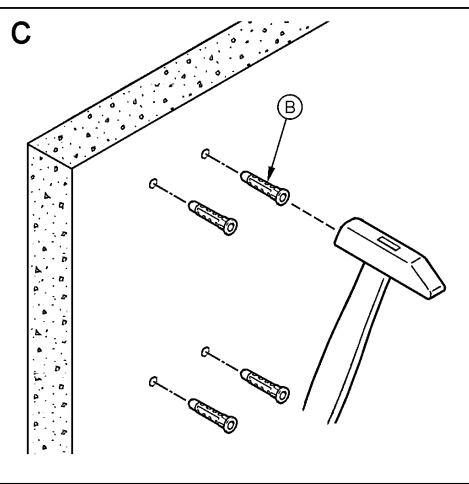
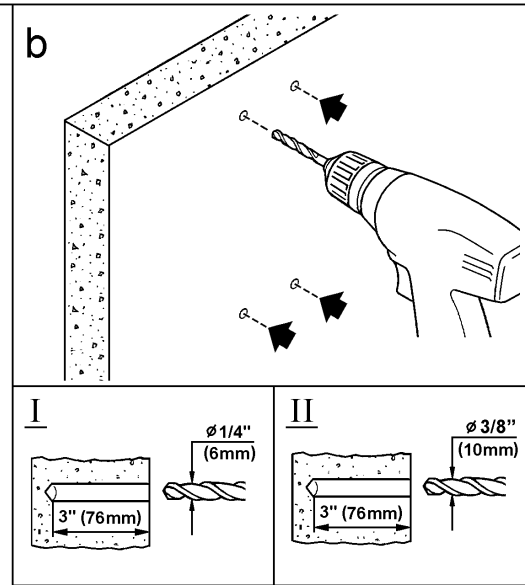
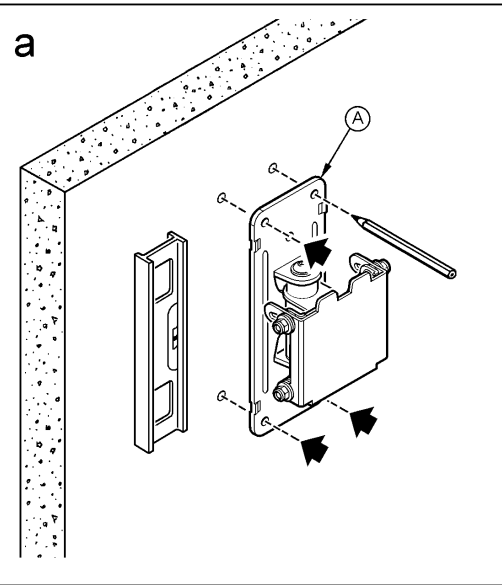


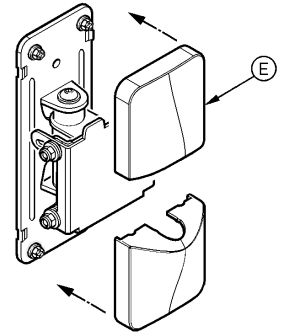
UP TO VESA 400x400
INCLUDING VESA:
200x400, 300x300



1



2



A x1	B x4	D x4	F x1	G M4x25 M5x12 M5x20 M6x12 M6x25 M8x16 M8x30 x4	I M4x12 x2	K x4	L $\phi 15 \times \phi 8 \times 10$ x4
	C x4	E x2		H M5 M8 x4	J M8x12 x4		

